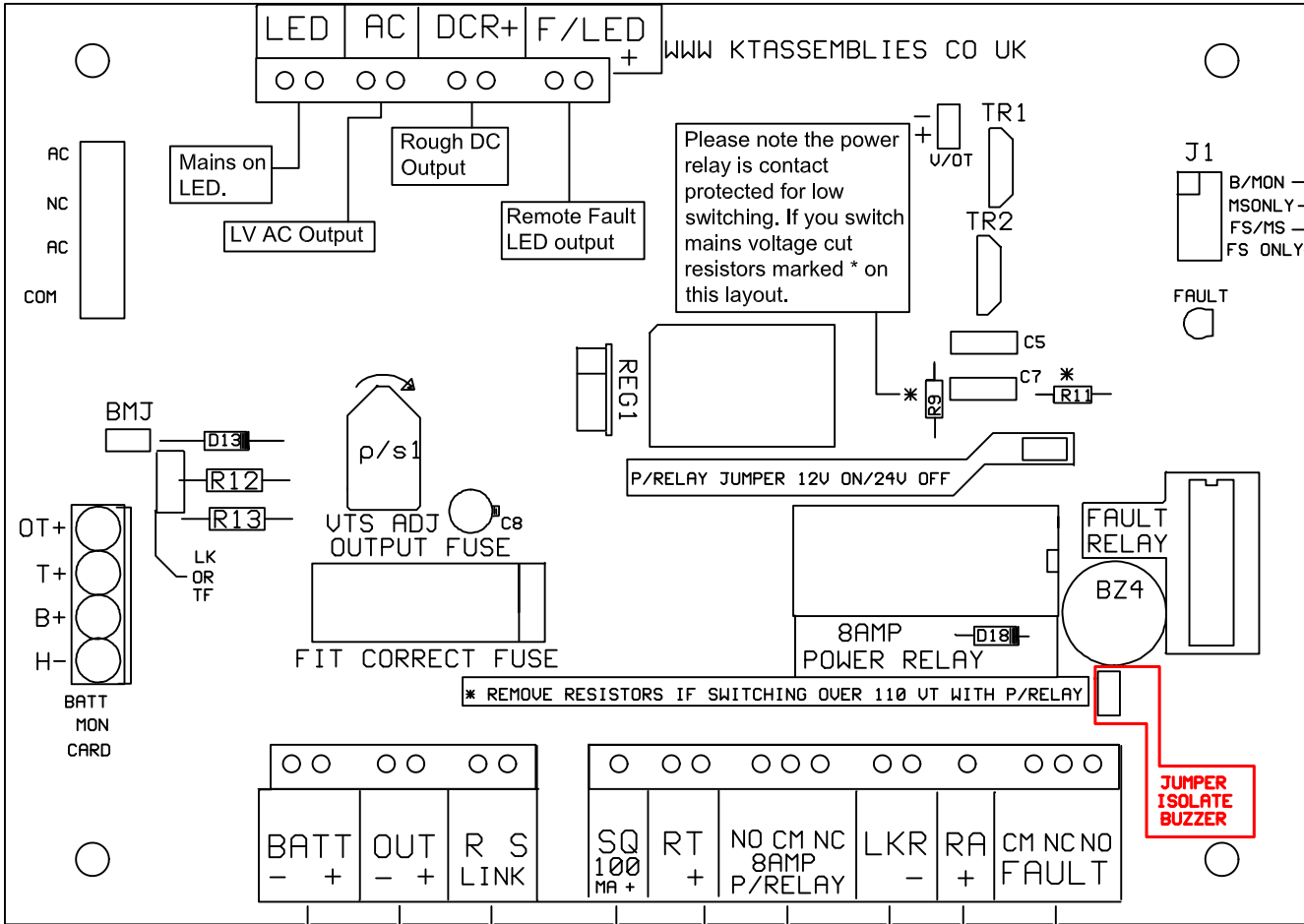


Output and Control Functions for 1 to 4 amp PSU

This paperwork is for all 1 to 4 amp, 5 to 30 volt model types.
 This paperwork is NOT indicating this PSU's Volts and Amps.

This Power Supply Unit requires an AC mains source in order to function.

Please note: Check field wiring for shorts before connecting to the output. Some of our customers are finding that the voltage regulator is being destroyed when the PSU is first powered up. This is due to a short across the output wiring. The regulator has short circuit protection, however this circuit cannot handle a short on the output terminals when the initial input inrush current is not smoothed by the capacitor.
 This problem can be prevented by removing the output fuse before powering up the PSU. The system can then be brought online by refitting the output fuse.



This is the fault relay programming set status outputs.

- 1:- Battery monitor fault if card is fitted
- 2:- Mains Failed only
- 3:- Mains failed or output fuse blown
- 4:- Output fuse blown only

KT Assemblies Ltd
 3 Maunsell Road,
 Castleham Ind. Est,
 St. Leonards on Sea,
 East Sussex,
 TN38 9NL

 Tel: 01424 851754
 Fax: 01424 855039
 Web: www.ktassemblies.co.uk

Fault relay which can be programmed to indicate mains fail, output fuse blown or both. Clean contacts rated 1 amp/30vdc

RA. Supply a + to this terminal from SQ or output + and the fault relay can be activated from an external switch connection

LKR. This is for internal or external supply for power relay control.

Battery Connections

Supply Output

RS Link. This is used to control the output terminals without causing an output fault. If this is not used the link must be fitted.

SQ. This is a 100mA output which is not via the RS Link, and can be used to indicate a fault with a buzzer etc via the fault relay contacts

RT. This is used for control of the power relay.

Power relay when fitted. This relay can be used to control lock strikes etc. It can be controlled by linking together terms RT, or by applying a supply voltage to RT+ and LKR- (make sure there is no link in LKR if an external supply is being used).